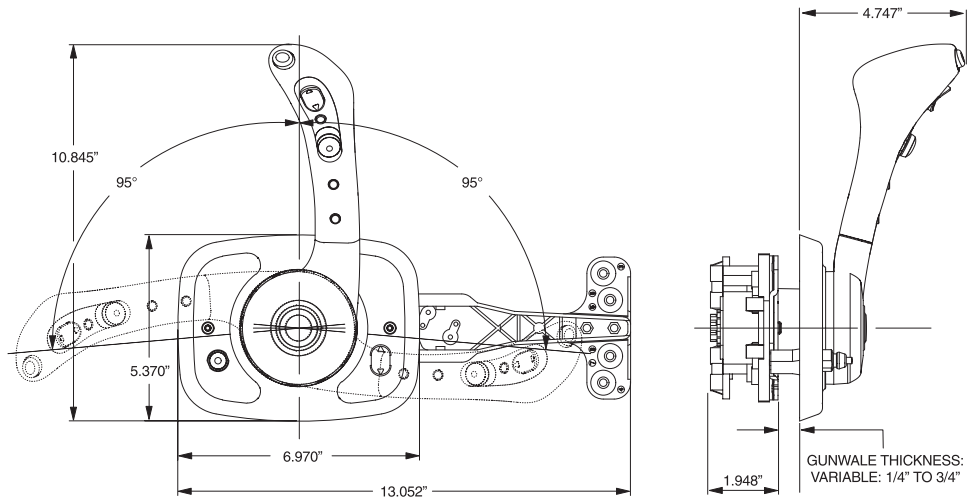
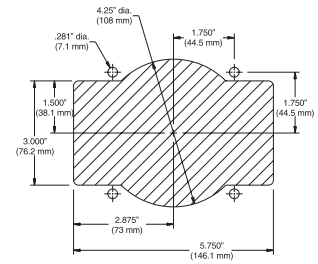


# Teleflex Marine Controls

## CH1700

**Morse**

**MOUNTING CUTOUT DIMENSIONS:**

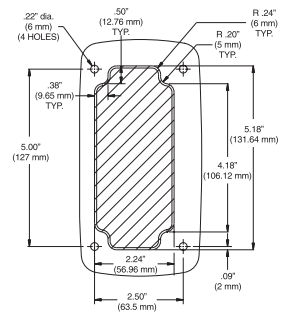


CONTROLS dimensions

## CH7500/CH7600

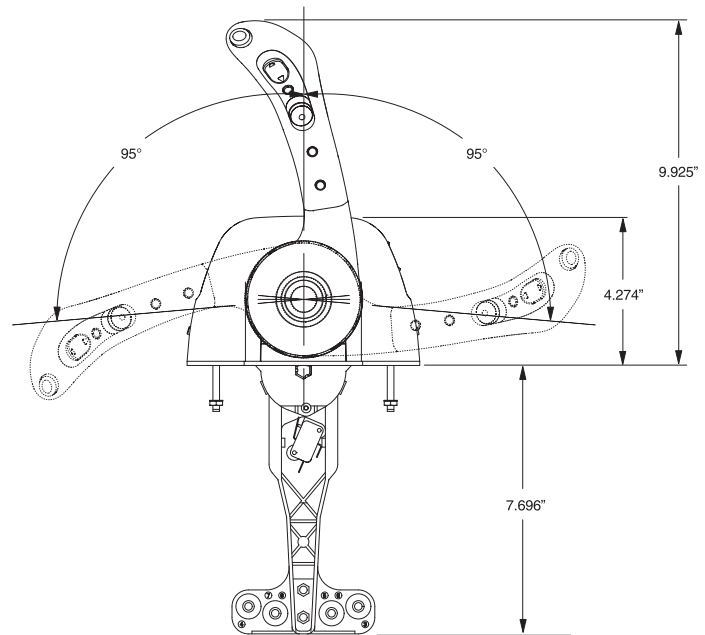
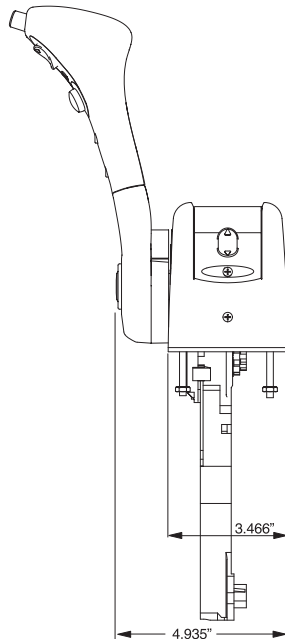
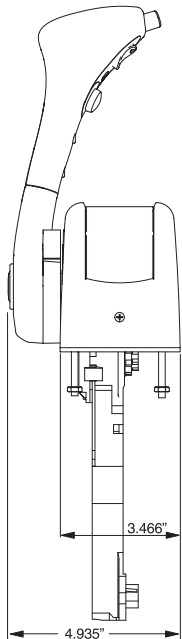
**Morse**

**MOUNTING CUTOUT DIMENSIONS:**



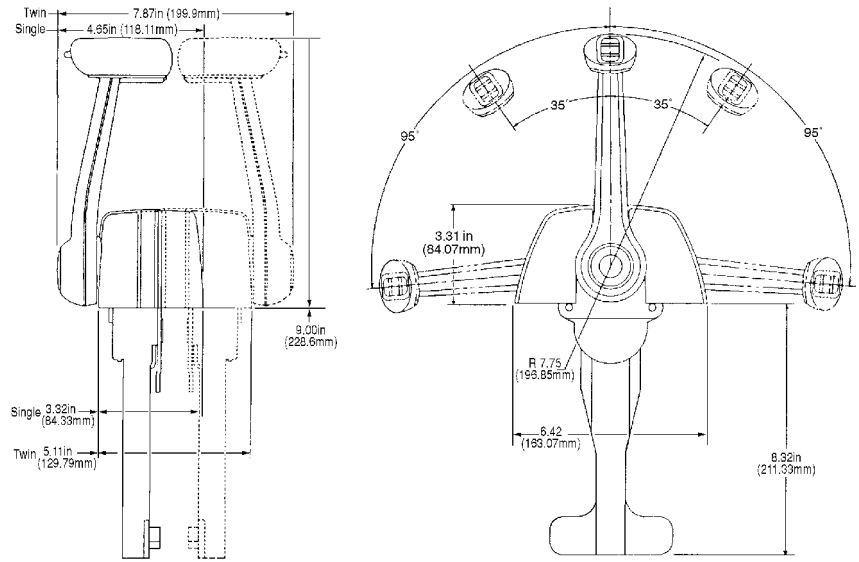
**CH7500 (FRONT VIEW):**

**CH7600 (REAR VIEW):**



**SL-3**  
*Top Mounts*

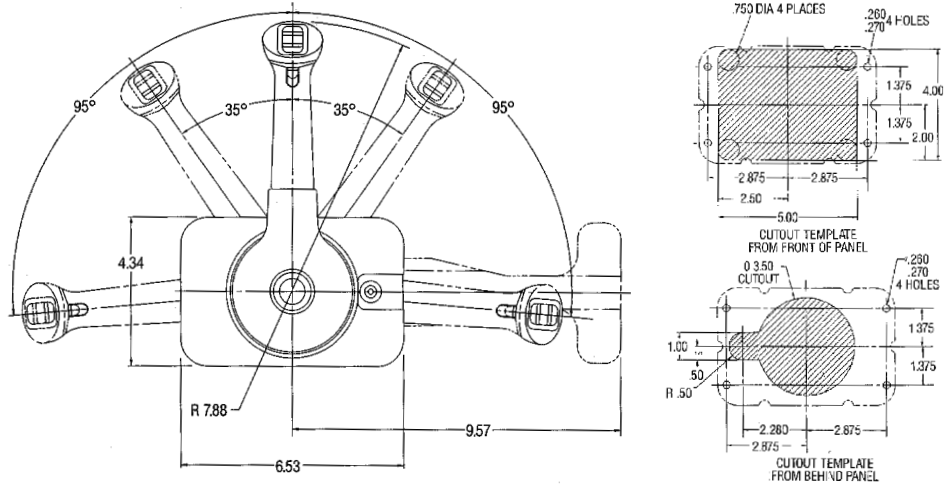
**Morse**



**SL-3**  
*Side Mount*

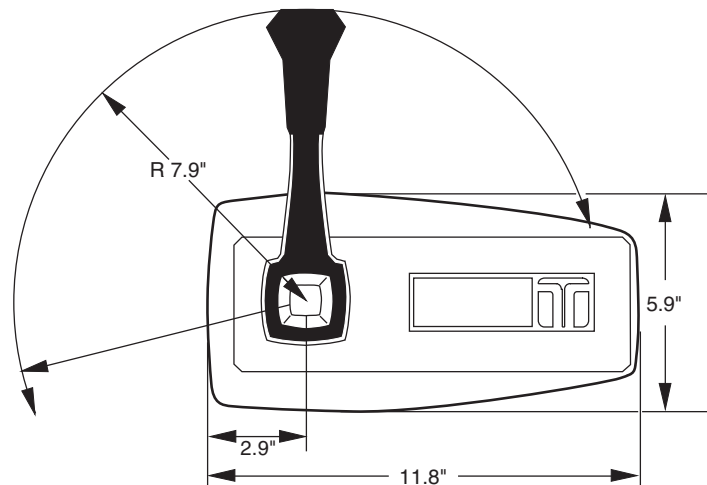
**Morse**

**MOUNTING CUTOUT DIMENSIONS:**



**CH2600/CH2700**

**Morse**

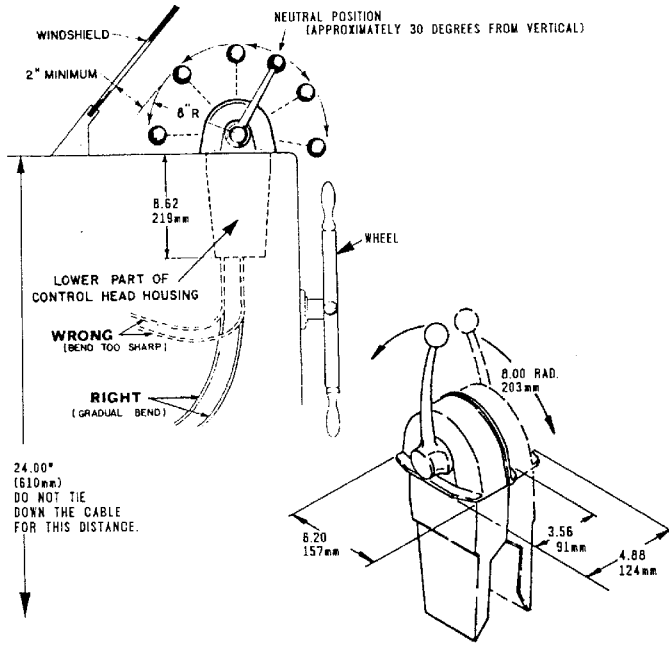
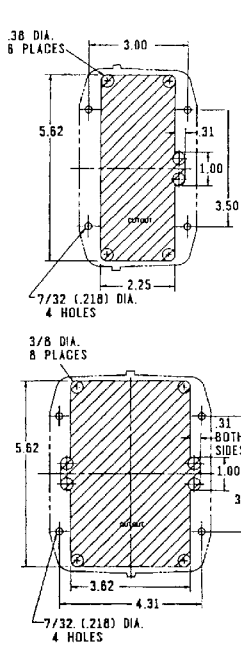


# Teleflex Marine Controls

## MT-3

**Morse**

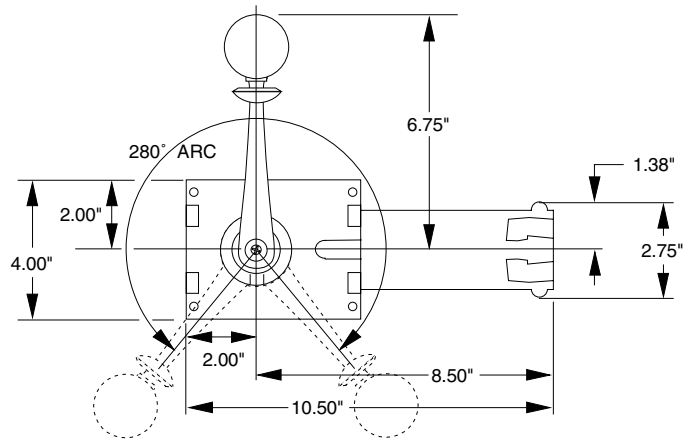
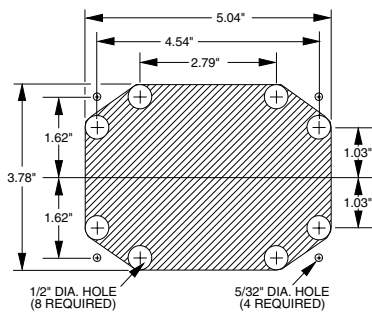
**MOUNTING CUTOUT DIMENSIONS:**



## CH2200/CH2300

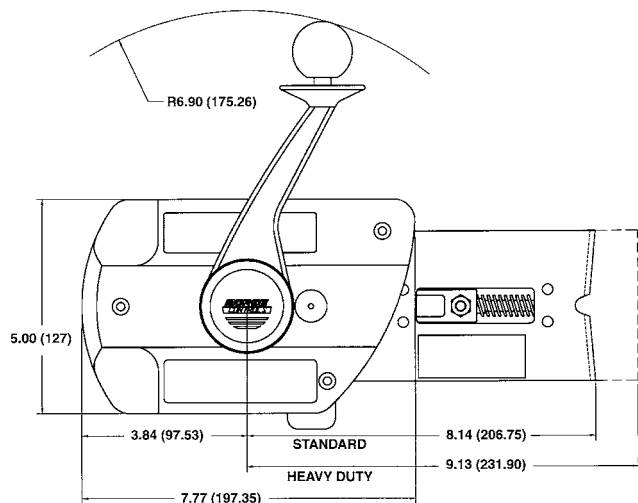
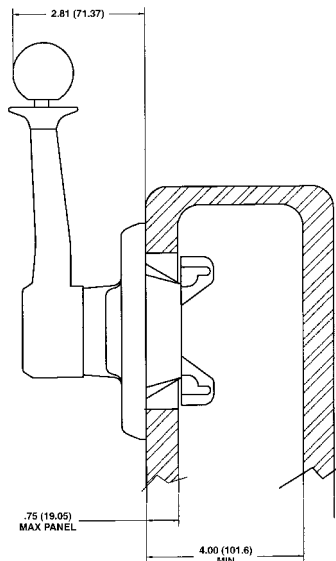
**Morse**

**MOUNTING CUTOUT DIMENSIONS:**



## MV-3

**Morse**

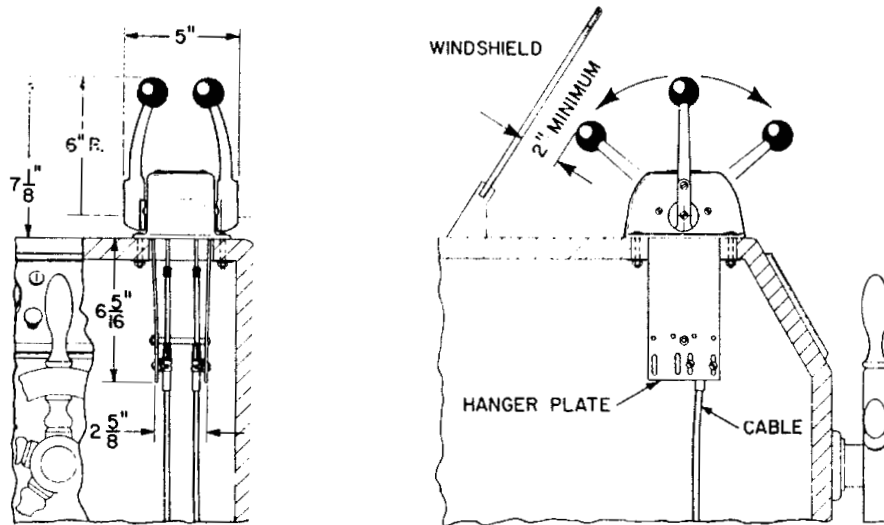


MV-3 CONTROL

CONTROLS dimensions

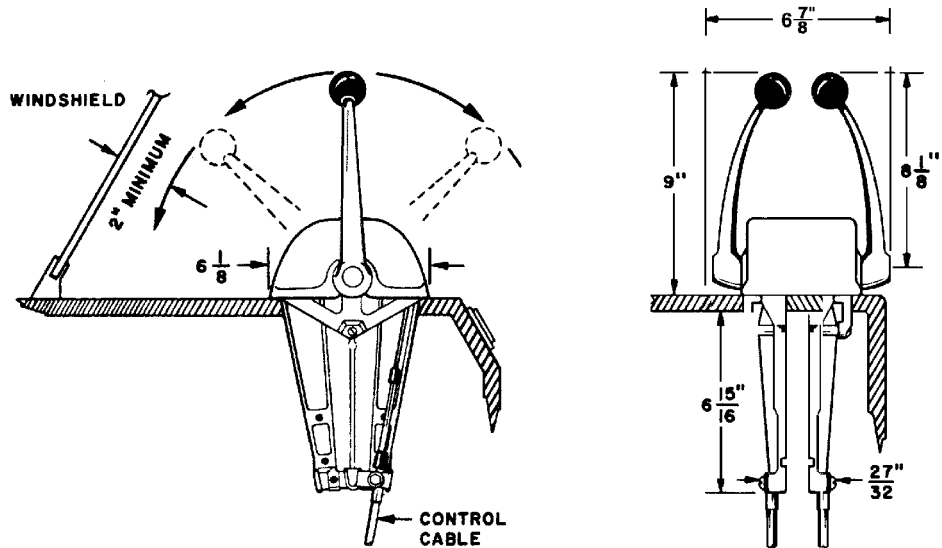
*S control*

**Morse.**



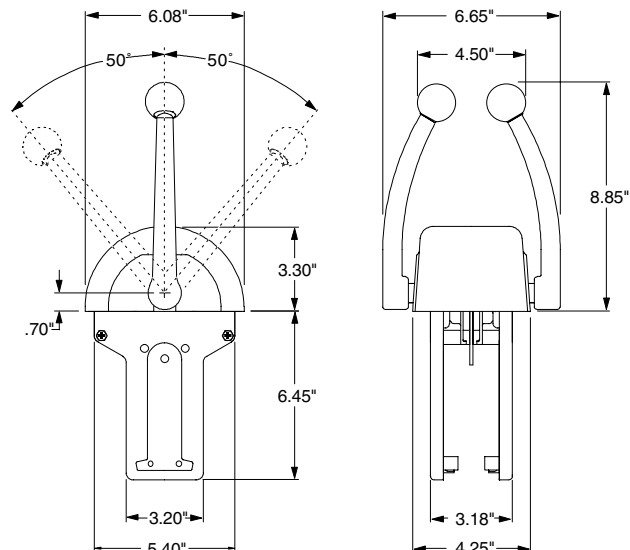
*SR control*

**Morse.**



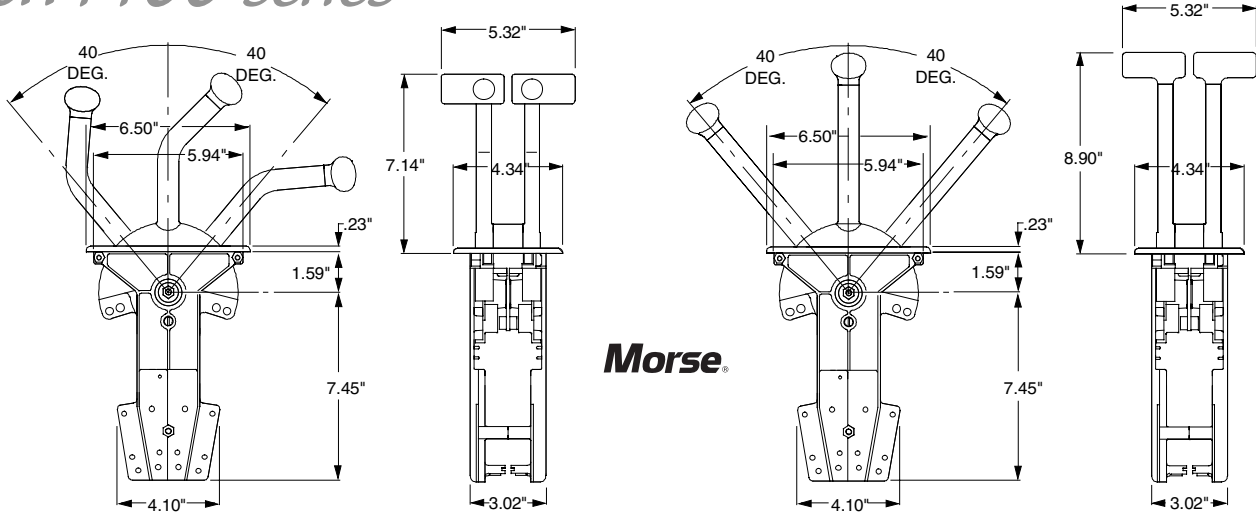
*CH5600*

**Morse.**



# Teleflex Marine Controls

## CH4400 series

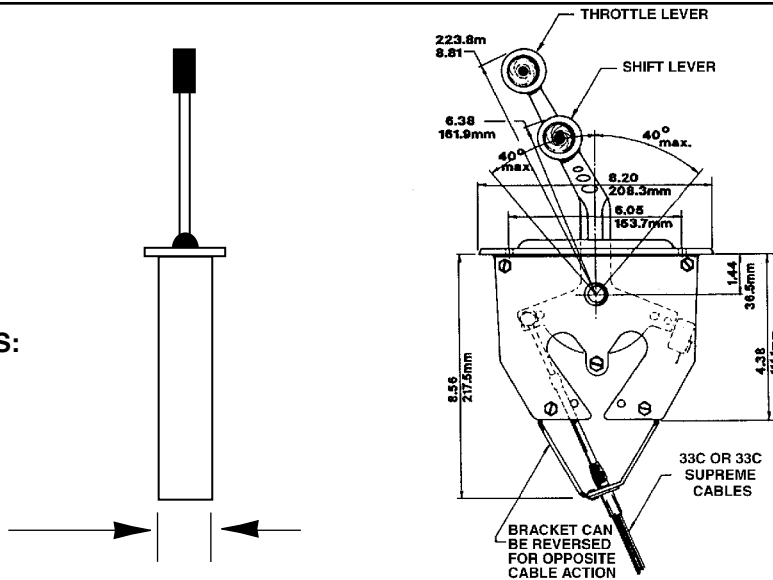


## MY controls

Morse

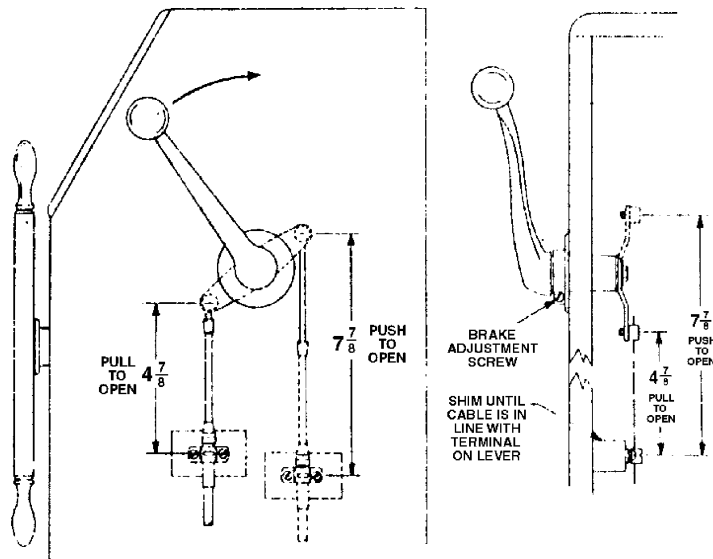
### CUTOUT HOLE WIDTHS:

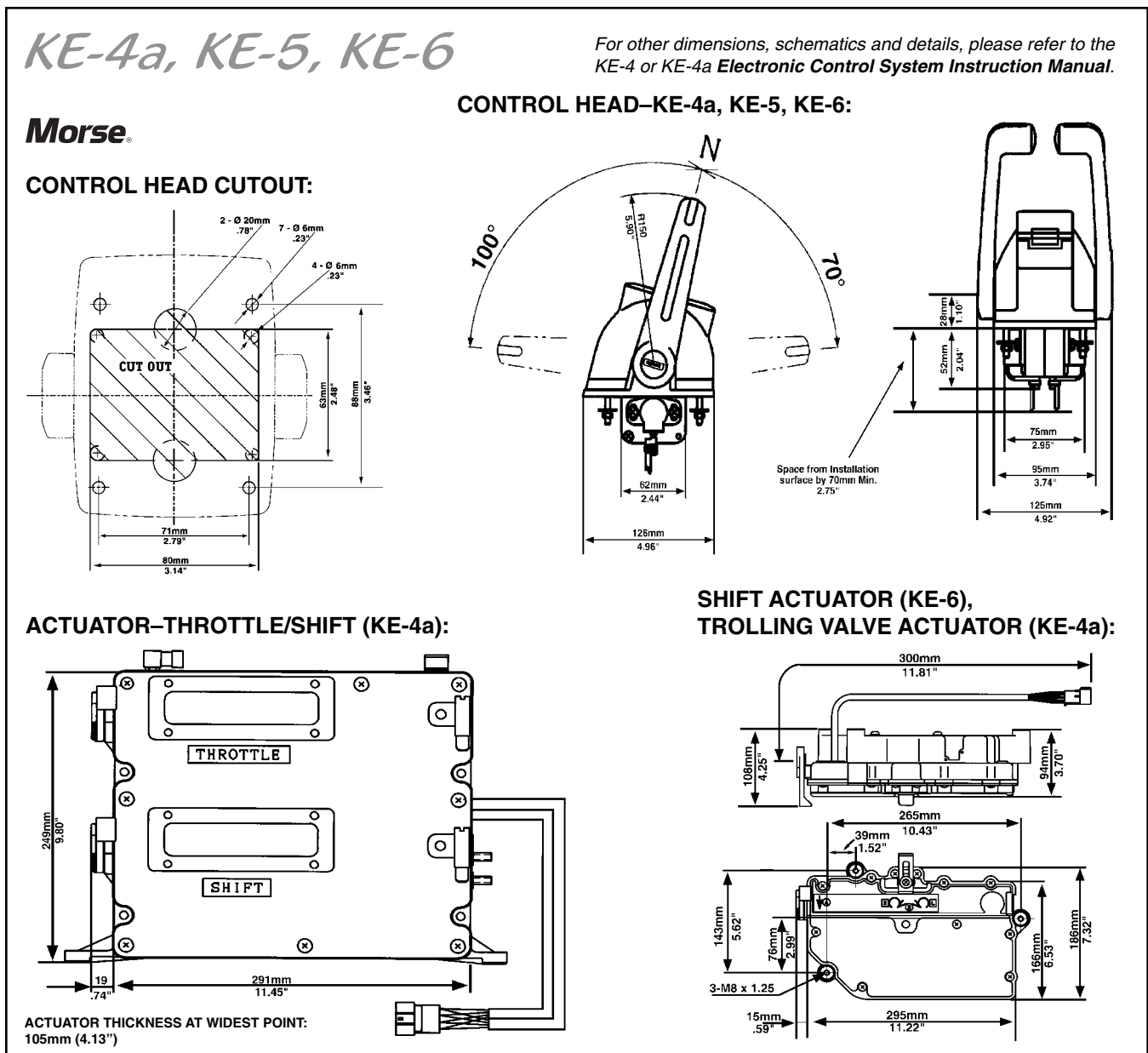
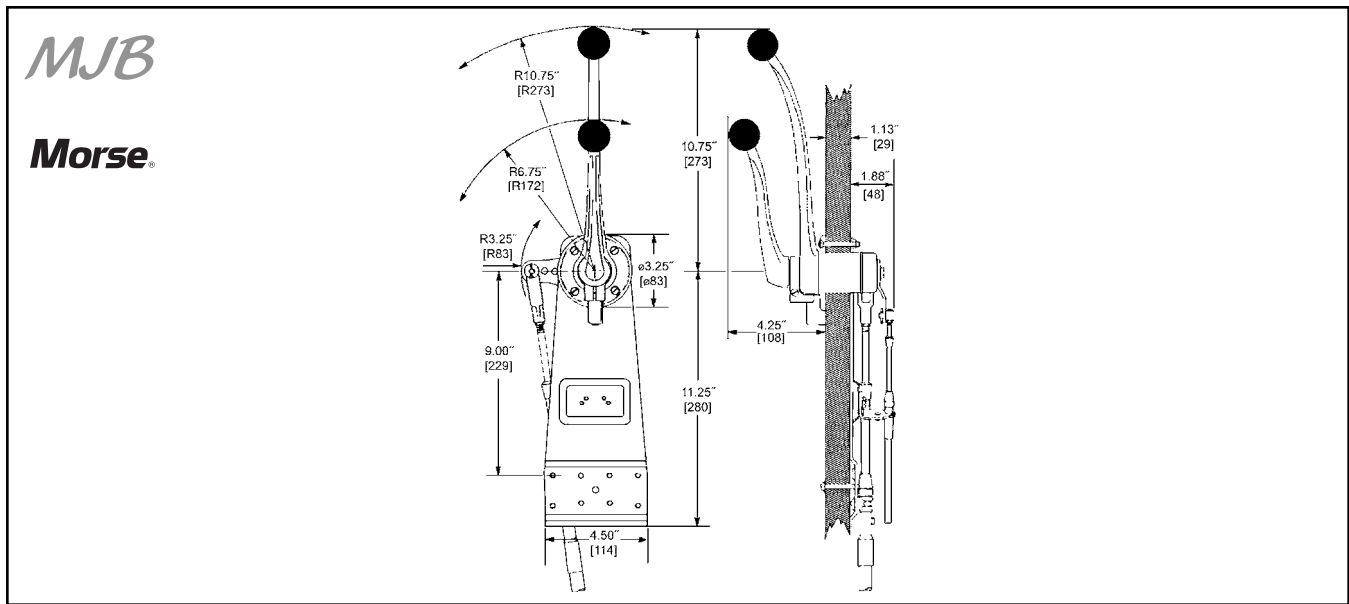
- 1 LEVER: 1.12" (28.4 mm)
- 2 LEVER: 2.06" (52.4 mm)
- 3 LEVER: 2.99" (75.9 mm)
- 4 LEVER: 3.94" (100 mm)
- 5 LEVER: 4.87" (123.7 mm)
- 6 LEVER: 5.81" (147.6 mm)



## ST/STB

Morse





CONTROLS dimensions

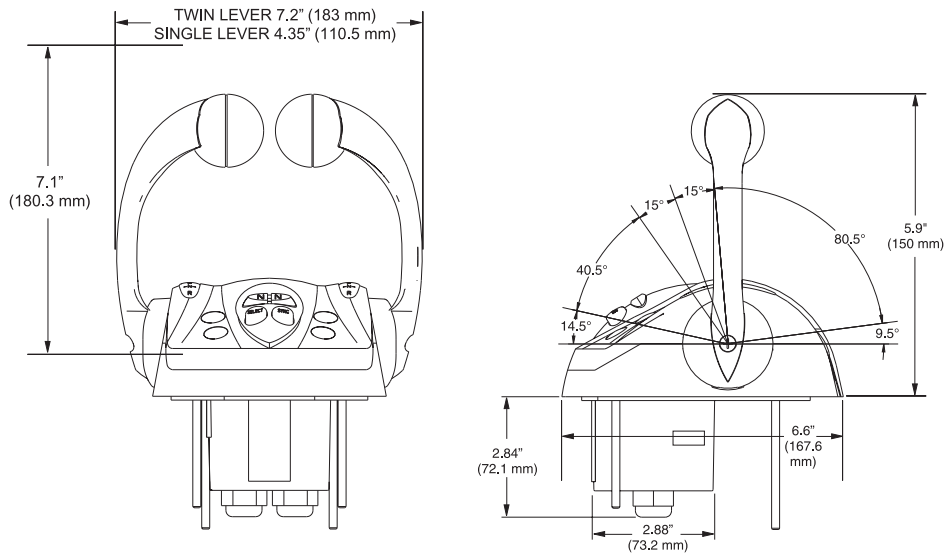
# Teleflex Marine Controls

i6000

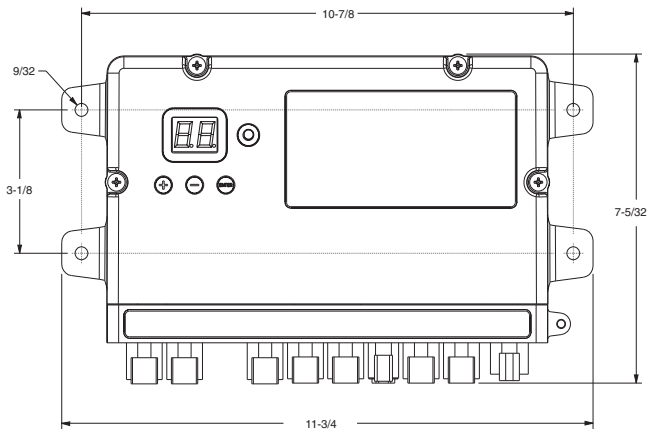
For other dimensions, schematics and details, please refer to the i6000 manual. For dimensions of CH5600e & CH44XXe, please see diagrams for CH5600 and CH4400 on previous pages.

**Teleflex**  
MARINE

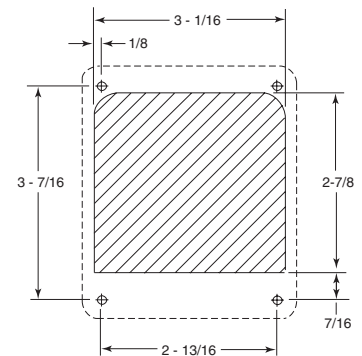
**TOP MOUNT CONTROLS:**



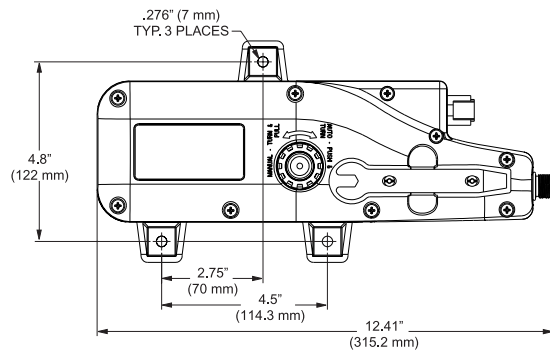
**ECU:**



**TRIPLE ENGINE SWITCH PANEL CUTOUT:**



**ACTUATOR:**



CONTROLS dimensions